



Special Features

- High accuracy & repeatability
- SS wetted parts
- Set point locking
- Highly reliable
- Diaphragm seals (optional)

Applications

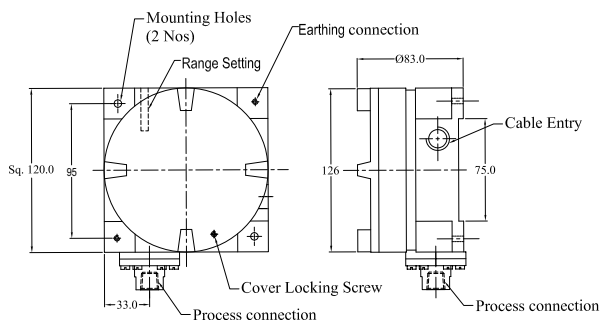
- Boiler, furnace
- Oil & gas, conventional & nuclear power
- Plants, mines, iron & steel plants, refineries,
- Petrochemical, food & pharmaceutical,
- Chemical & fertilizer, cement,
- Glass, paint, pulp & paper, marine industries and other hazardous applications

Specifications

Standard Version

Repeatability	:	± 0.5% F. S.
Scale Unit	:	bar (Inside Enclosure)
Range	:	Refer "how to order"
Set point	:	Between 20 to 80% F. S. for better performance
Over pressure limit	:	150% of F. S.
Differential	:	Fixed
Mounting	:	Bottom / Panel
Process connection	:	1/4" NPT (F)
Enclosure protection	:	W/P to IP 65 & Explosion proof, Class 1, Div. 2, Gas Groups B, C & D (ExII2G, Eex d IIC T6)
Enclosure material	:	Die cast aluminum
Maximum process temperature	:	150 °C
Ambient temperature	:	-10 to 60 °C
Switch	:	1 SPDT, snap action micro switch
Switch rating	:	15 A, 250 VAC, 0.2 A, 220 VDC
High voltage strength	:	0.5 to 0.6 KV between open contacts and 2 KV between contacts and body
Insulation resistance	:	>100 M ohms at 500 V
Sensing element	:	Diaphragm
Top Chamber	:	Mild Steel (plated)
Bottom Chamber	:	AISI 316 SS
Sensing element material	:	AISI 316L SS
Cable gland	:	½" NPT (M) double compression
Scale Accuracy	:	± 1.0% F. S.
Conformity	:	BS 6134

Dimensional Details



Notes : • Drawings are not to scale. • All dimensions are in mm.

How To Order
Example
Basic Model

ZPDX

Range (*With 1 SPDT only)

Ordering Code	Range (mbar)	Ordering Code	Range (mbar)	Ordering Code	Range (bar)	Ordering Code	Range (bar)	Ordering Code	Range (bar)
WC20*	-20 to 20	W250	25 to 250	P001	0.1 to 1	P016	1 to 16	C005	-0.5 to 0.5
WC40	-40 to 40	W400	40 to 400	P002	0.2 to 2	P025	2 to 25	C011	-1 to 1
W020	3 to 20	W600	60 to 600	P004	0.4 to 4	P032	2 to 32	C012	-1 to 2
W060	5 to 60			P006	0.6 to 6	P040	2 to 40	C014	-1 to 4
W100	10 to 100			P010	1 to 10			V001	-1 to 0

XXXX

 Note : Other equivalent scale units like kg/cm², kPa, MPa, psi, mmWC etc can be provided on request.

Chamber Material (Top)
MS Mild Steel - plated (Standard) **SS** AISI 304 SS **C6** AISI 316 SS **SL** AISI 316L SS

XX

Chamber Material (Bottom)
C6 AISI 316 SS (standard) **MO** Monel
SL AISI 316L SS **HC** Hastelloy C

XX

Sensing Element Material
SL AISI 316L SS (standard) **TF** AISI 316L SS with PTFE Protection
HC Hastelloy C **MO** Monel

XX

Differential
F Fixed (standard) **A** Adjustable (Only with GPA Switch)

X

Note :

 Fixed : 1 SPDT = 3 to 5% FS Adjustable : 1 SPDT = 5 to 12.5% FS
 2 SPDT = 4.5 to 7.5% FS
 1 DPDT = 7.5 to 19% FS

Type of Micro Switch
1S 1 SPDT **2S** 2 SPDT **1D** 1 DPDT (For range code P002 to P040 only)

XX

Micro Switch Rating

Switch Code	Description	AC Rating	AC Rating (Resistive)	DC Rating (Inductive)
GPL	Low dead band and fixed	15 A 250 V	2 A 24 V 0.4 A 110 V 0.2 A 220 V	2 A 24 V 0.4 A 110 V 0.2 A 220 V
GPH	Standard dead band	15 A 250 V	6 A 24V 0.5 A 110 V 0.25 A 220 V	5 A 24 V 0.05 A 110 V 0.03 A 220 V
GPA*	Adj. differential micro switch	15 A 250 V		
HSS**	Hermetically sealed silver plated	4 A 230 V	3 A 28 V	2 A 24 V
DPD	DPDT Micro Switch	10 A 125 V	0.2 A 250 V	

XXX

(*For 1 SPDT switch only)

(**For 1 SPDT switch only and for range code P004 to P040 only)

How To Order				Example	
Calibration				X	
I Increasing		D Decreasing			
Process Connections (* Please mention the flange face and flange finish)				XXX	
	Through Adaptors	Flanged (As per ANSI B 16.5)*			
2NM 1/4" NPT (M)	3BM 3/8" BSP (M)	B09 1/2" 150 #	B21 1" 150 #		B39 2" 150 #
2NF 1/4" NPT (F) (Standard)	3BF 3/8" BSP (F)	B10 1/2" 300 #	B22 1" 300 #		B40 2" 300 #
	4BM 1/2" BSP (M)	B11 1/2" 600 #	B23 1" 600 #		B41 2" 600 #
	4BF 1/2" BSP (F)	B15 3/4" 150 #	B33 1 1/2" 150 #		B51 3" 150 #
	4NM 1/2" NPT (M)	B16 3/4" 300 #	B34 1 1/2" 300 #		B52 3" 300 #
	4NF 1/2" NPT (F)	B17 3/4" 600 #	B35 1 1/2" 600 #		B53 3" 600 #
Cable Entry					XXX
DTE 3/4" ET duel entry with one entry plugged	ECS 3/4" ET DCCG SS	DCS 3/4" ET DCCG with one entry plugged			
DNP 1/2" NPT (F) with one entry plugged	NPS 1/2"NPT DCCG SS	DPS 1/2" NPT DCCG with one entry plugged			
2NP 1/2" NPT (F)	ETE 3/4" ET	ECB 3/4" ET DCCG BRASS			
		NPB 1/2"NPT DCCG BRASS			
Options				XX	
PW Calibration certificate		WM Wall mounting bracket (steel plated)			
SX SS Tag plate		PM 2" Pipe mounting			
TF Conformity as per NACE Standard		JU 2" Pipe/yoke mounting bracket & 'U' clamp (AISI 304 SS)			
GH Material test certificates***		FN 2" Pipe/yoke mounting bracket & 'U' clamp (AISI 316 SS)			
SG Oxygen service		PU Calibration certificate traceable to national / international standards			
Accessories (refer individual datasheet for complete specifications)					
EB Cooling tower	ED Overload protector	EG Snubber			
EC Gauge cock	NV4 Needle valve	EH Syphon			
DS Diaphragm seals	EL Cooling capillary	VM Manifolds			

***Material test certificates will be provided for wetted parts only with chemical composition testing.

For others, please consult factory.

Ordering Example: ZPDX . XXXX . XX . XX . X . XX . XXX . X . XXX . XXX . XX

Note : In 2 SPDT Instruments, there may be an error of max \pm 2% F. S. between micro switches at the set point.